

## Off Grid Non Feed and Feed Cable Installation Instructions

For Sheetrock, Lathe and Plaster and "Hard" Ceiling Systems

### WARNING

#### To Reduce Risk Of Death, Injury Or Property Damage From Fire, Electric Shock And Other Hazards:

- Service of equipment must be performed by qualified personnel.
- Installation and maintenance must be performed by qualified personnel familiar with the construction and operation of this product and any hazards involved. All applicable local and national codes and ordinances must be followed.
- Read this document before installing, servicing or maintaining this equipment. These instructions do not cover all installation, service and maintenance situations. If your situation is not covered, or, if you do not understand these instructions or need additional information, contact Lumato Lighting or your local Lumato Lighting distributor.

### WARNING

#### Before Installing, Servicing Or Maintaining This Equipment, Follow These General Precautions To Reduce The Risk Of Electrocutation:

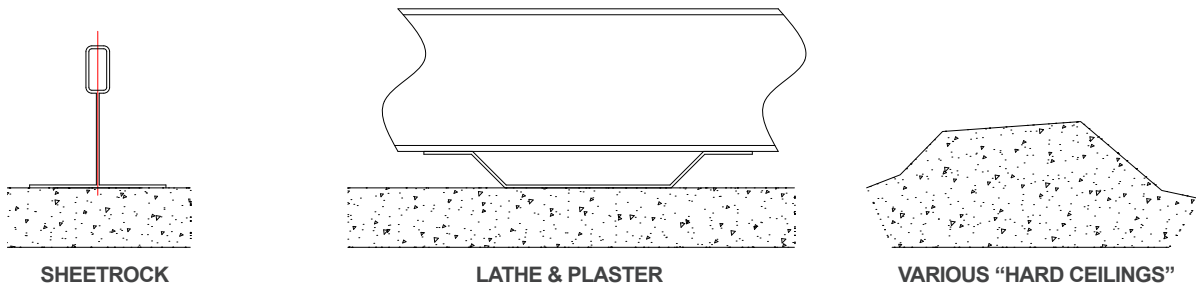
- Make sure the equipment is properly grounded.
- Always de-energize the circuit and/or equipment before connecting to, disconnecting from or servicing the equipment.

#### To Prevent Luminaire Row From Over-Current:

- By adding the input current of each luminaire section marked on the luminaire, the total current per power feed must not exceed the maximum line wire amperage rating in the luminaire and the power feed cord/wire amperage rating whichever is least.

### CAUTION

#### It Is The Installers Responsibility To Ensure That Wall, Ceiling Or Junction Box Is Structurally Capable Of Supporting The Weight Of Luminaire/Luminaire Row.



**SAVE THESE INSTALLATION INSTRUCTIONS**

## Off Grid Non Feed Cable Installation Instructions

For Sheetrock, Lathe and Plaster and "Hard" Ceiling Systems

### NON FEED CABLE/CANOPY ASSEMBLY

#### Step One:

-Determine mounting cable spacing centers from factory shop drawing or order processing specification sheet.

#### Step Two:

-Install 1/4-20 studs projecting from the finished ceiling line 1/2".

#### Step Three:

-Insert cable supplied in kit through ceiling coupler in kit and attach to 1/4-20 stud securely. Remove threaded canopy support ring from coupler and slide canopy then support ring over cable and up to finished ceiling line. Tighten support ring to locate canopy in place.

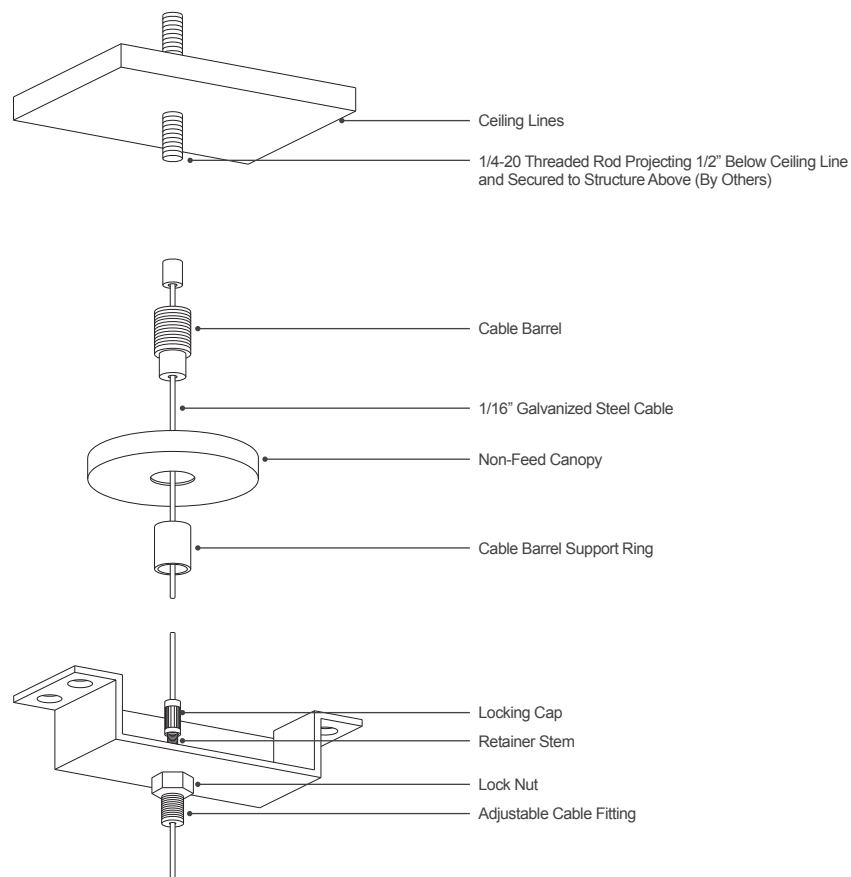
#### Step Four:

-Raise luminaire to cable assembly and route cable through the center of the adjustable cable fitting loosening the locking cap enough to allow cable to enter fitting. Feed cable through the adjustable fitting until desired mounting height is attained. Luminaire will be retained at the last point of adjustment. Tighten locking cap onto retainer stem.

**Note: If It Becomes Necessary To Re-Adjust Luminaire Height, Loosen Locking Cap And Depress Retainer Stem While Adjusting To Desired Position.**

### CAUTION

**Be Certain To Support Luminaire Independently Of Cables When Depressing Retainer Stem.**





# Lumato

Light Without Boundaries

## Off Grid Feed Cable Installation Instructions

For Sheetrock, Lathe and Plaster and "Hard" Ceiling Systems

### FEED CABLE/CANOPY ASSEMBLY

#### Step One:

-Determine mounting cable spacing centers from factory shop drawing or order processing specification sheet and locate a 4" octagonal junction box at location indicated for incoming wire feed point.

#### Step Two:

-OPTION 1 Install cross strap support bracket to junction box with screws by others. Be sure junction box can support luminaire/luminaire row in accordance with local codes as illustrated.

-OPTION 2 Drill a 5/16" dia hole in the roof of the junction box. Position and secure a 1/4-20 threaded rod (by others) to structural support above so that it passes through the hole drilled in the junction box and extends 1/2" below the finished ceiling line.

#### Step Three:

-Insert cable supplied in kit through ceiling coupler in kit and attach to 1/4-20 stud securely. Remove threaded canopy support ring from coupler and slide canopy then support ring over cable and up to finished ceiling line. Loosely tighten support ring to locate canopy in place.

#### Step Four:

-Raise luminaire to cable assembly and route cable through the center of the adjustable cable fitting loosening the locking cap enough to allow cable to enter fitting. Feed cable through the adjustable fitting until desired mounting height is attained. Luminaire will be retained at the last point of adjustment. Tighten locking cap onto retainer stem.

**Note: If It Becomes Necessary To Re-Adjust Luminaire Height, Loosen Locking Cap And Depress Retainer Stem While Adjusting To Desired Position.**

### CAUTION

**Be Certain To Support Luminaire Independently Of Cables When Depressing Retainer Stem.**

#### Step Five:

-Remove canopy support ring and route feed cord from luminaire through grommeted hole in canopy and into junction box. Connect feed cord to incoming power feed wires within j-box with appropriate connectors and install cord restraint as illustrated.

#### Step Six:

-Raise canopy finished ceiling line and locate with canopy support ring. Attach supplied tie straps around feed cord and cable at minimum of 36" on center.

-ENERGIZE AND CHECK FOR PROPER OPERATION.

ILLUSTRATION ON NEXT PAGE



# Lumato

Light Without Boundaries

## Off Grid Feed Cable Installation Instructions

For Sheetrock, Lathe and Plaster and "Hard" Ceiling Systems

