

On Grid Non Feed and Feed Cable Installation Instructions

For 1" T-Grid, 9/16" T-Grid and Screw Slot Grid Ceiling Systems

WARNING

To Reduce Risk Of Death, Injury Or Property Damage From Fire, Electric Shock And Other Hazards:

-Service of equipment must be performed by qualified personnel.

-Installation and maintenance must be performed by qualified personnel familiar with the construction and operation of this product and any hazards involved. All applicable local and national codes and ordinances must be followed.

-Read this document before installing, servicing or maintaining this equipment. These instructions do not cover all installation, service and maintenance situations. If your situation is not covered, or, if you do not understand these instructions or need additional information, contact Lumato Lighting or your local Lumato Lighting distributor.

WARNING

Before Installing, Servicing Or Maintaining This Equipment, Follow These General Precautions To Reduce The Risk Of Electrocutation:

-Make sure the equipment is properly grounded.

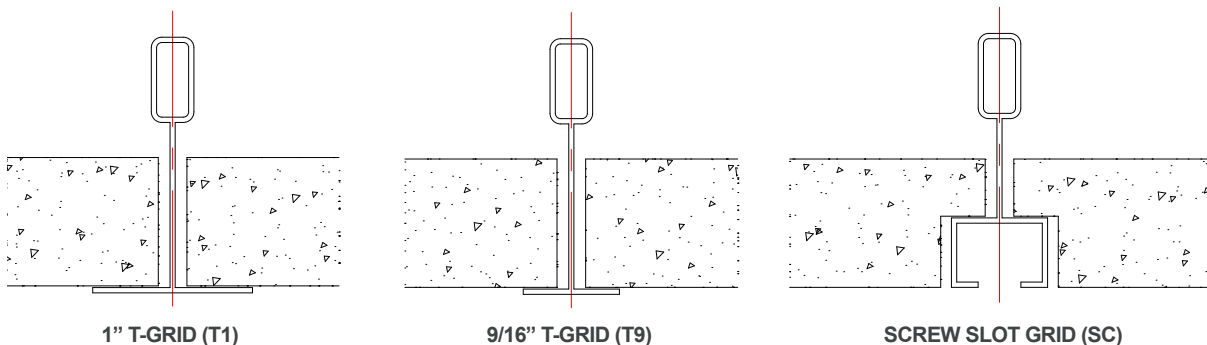
-Always de-energize the circuit and/or equipment before connecting to, disconnecting from or servicing the equipment.

To Prevent Luminaire Row From Over-Current:

-By adding the input current of each luminaire section marked on the luminaire, the total current per power feed must not exceed the maximum line wire amperage rating in the luminaire and the power feed cord/wire amperage rating whichever is least.

CAUTION

It Is The Installers Responsibility To Ensure That Wall, Ceiling Or Junction Box Is Structurally Capable Of Supporting The Weight Of Luminaire/Luminaire Row.



SAVE THESE INSTALLATION INSTRUCTIONS

On Grid Non Feed Cable Installation Instructions

For 1" T-Grid, 9/16" T-Grid and Screw Slot Grid Ceiling Systems

NON FEED CABLE/CANOPY ASSEMBLY

Step One:

-Determine mounting cable spacing centers from factory shop drawing or order processing specification sheet.

Step Two:

-Installation of IDS clip onto T-BAR at appropriate locations (REF. STEP 1 AND FIG. 1)

- A. Assemble 1/4-20 stud and clip. Start stud into recessed square hole, grasp clip in hand and depress tab a with thumb. Pull stud into place and release TAB A.
- B. Separate clip into it's two parts by bending at TAB B.
- C. Place PART X on T-BAR and insert base tab on part into slot. Close PARTS X and Y together locking with TAB C.

Step Three:

-Secure IDS clip to structural support above with minimum #12 gauge support wire in accordance with local codes. (REF FIG. 2)

Step Four:

-Insert cable supplied in kit through ceiling coupler in kit and attach to 1/4-20 stud on IDS clip securely. Remove threaded canopy support ring from coupler and slide canopy then support ring over cable and up to finished ceiling line. Tighten support ring to locate canopy in place.

Step Five:

-Raise luminaire to cable assembly and route cable through the center of the adjustable cable fitting loosening the locking cap enough to allow cable to enter fitting. Feed cable through the adjustable fitting until desired mounting height is attained. Luminaire will be retained at the last point of adjustment. Tighten locking cap onto retainer stem.

Note: If It Becomes Necessary To Re-Adjust Luminaire Height, Loosen Locking Cap And Depress Retainer Stem While Adjusting To Desired Position.

CAUTION

Be Certain To Support Luminaire Independently Of Cables When Depressing Retainer Stem.

FIGURE 1

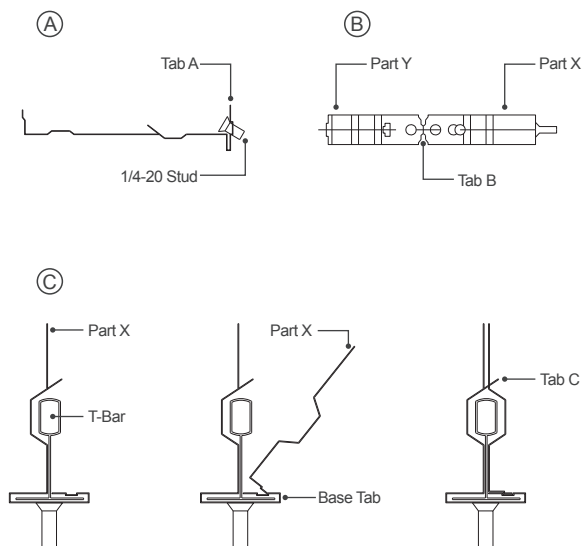
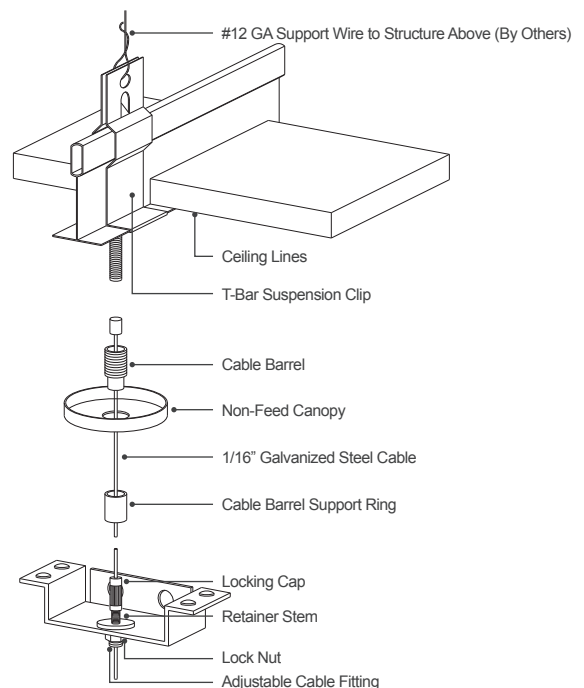


FIGURE 2





Lumato

Light Without Boundaries

On Grid Feed Cable Installation Instructions

For 1" T-Grid, 9/16" T-Grid and Screw Slot Grid Ceiling Systems

FEED CABLE/CANOPY ASSEMBLY

Step One:

-Determine mounting cable spacing centers from factory shop drawing or order processing specification sheet.

Step Two:

-Installation of IDS clip onto T-BAR at appropriate locations on T-BAR. Follow instruction sequence #2 and 3 from previous page.

Step Three:

-Install Greenfield connector or equal (by others) onto junction box. Attach Junction Box and Junction Box support bracket to IDS clip with 1/4-20 nut and bolt provided as illustrated.

Step Four:

-Support Junction Box support bracket to structural support above with minimum #12 gauge support wire in accordance with local codes as illustrated.

Step Five:

-Cut a 3/4" dia. hole in ceiling tile aligned with Greenfield connector protruding from Junction Box. Insert cable supplied in kit through ceiling coupler in kit and attach to 1/4-20 stud on IDS clip securely. Remove threaded canopy support ring from coupler and slide canopy then support ring over cable and up to finished ceiling line. Tighten support ring to locate canopy in place.

Step Six:

-Raise luminaire to cable assembly and route cable through the center of the adjustable cable fitting loosening the locking cap enough to allow cable to enter fitting. Feed cable through the adjustable fitting until desired mounting height is attained. Luminaire will be retained at the last point of adjustment. Tighten locking cap onto retainer stem.

Note: If It Becomes Necessary To Re-Adjust Luminaire Height, Loosen Locking Cap And Depress Retainer Stem While Adjusting To Desired Position.

CAUTION

Be Certain To Support Luminaire Independently Of Cables When Depressing Retainer Stem.

Step Seven:

-Route feed cord from luminaire through grommeted hole in canopy and into Junction Box. Connect feed cord to incoming power feed wires within Junction Box with appropriate connectors and install cord restraint as illustrated. Attach supplied tie straps around feed cord and cable at a minimum of 36" on center.

-ENERGIZE AND CHECK FOR PROPER OPERATION.

ILLUSTRATION ON NEXT PAGE



Lumato

Light Without Boundaries

On Grid Feed Cable Installation Instructions

For 1" T-Grid, 9/16" T-Grid and Screw Slot Grid Ceiling Systems

