

OPTICAL SYSTEM

1. OPTIMAL ASYMMETRICAL DISTRIBUTION

Diffused Forward Throw Optics with High Efficiency Diffuser Properly Illuminates the Wall, Provides Even Illumination Across the Ceiling and Protects LED's from Dust and Debris

2. VERSATILE LIGHT ENGINE

Multiple Lumen Intensities Provide the Correct Level of Illumination Within Each Space

ADA COMPLIANT HOUSING

3. HIDDEN CONNECT

Concealed Connection Point Between the Wall and Fixture Eliminates the Visibility of Hardware

4. SURE-FIT ALIGNMENT

4-Point Alignment System Adjoining Each Luminaire Section to Ensure Straighter Rows While Minimizing the Appearance of Seams

ELECTRICAL

5. EFFICACY

Luminaire Efficiency of 101.1 Lumens per Watt Helps Achieve Best in Class Power Density Performance

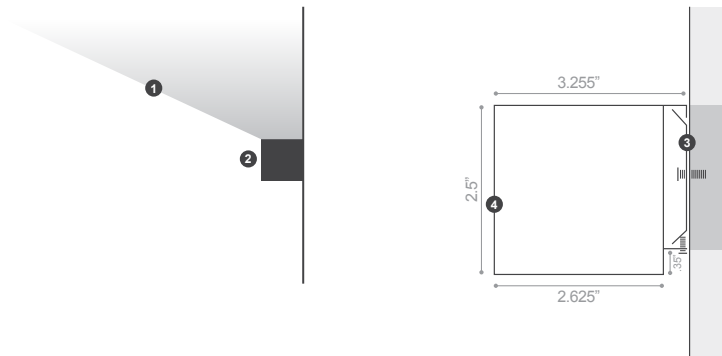
DIMMING

6. 0-10 VOLT DIMMING STANDARD

See Options Below for Additional Dimming Options

LIGHT DISTRIBUTION

CROSS-SECTION



SERIES	LENGTH ¹	OUTPUT ²	RATIO ³ U/D	VOLTAGE	CCT	MOUNTING	COLOR	DIMMING
SQ 2			10			WM		
	XXX FT 2 INCREMENTS EX: 4' = 004	H 1200 LM/FT M 900 LM/FT L 600 LM/FT C ⁵ Custom	10 100/0	12 120V 27 277V	30 3000K 35 3500K 40 4000K	WM WALL MOUNT	W WHITE S SILVER G CHARCOAL GREY	0-10 0-10V DIMMING DALI DALI DIMMING ND NO DIMMING

OPTIONS

EC EMERGENCY CIRCUIT	DS DAYLIGHT SENSOR	FS FUSING
NC NIGHT LIGHT CIRCUIT	OS OCCUPANCY SENSOR	C90 ⁴ 90 CRI
GTD GENERATOR TRANS. DEVICE	DOS DAYLIGHT & OCCUPANCY SENSOR	

¹Nominal length
²Nominal lumens per foot
³Ratio defined as percentage of light illuminated upwards versus percentage of light illuminated downwards
⁴80 CRI standard
⁵Contact factory for available configurations and additional lead times



MECHANICAL

Housing Construction:

Extruded Aluminum 6063-T5 alloy outer housing with die-formed steel internal components for strength, alignment and mounting attachment.

Alignment/Assembly:

The Sure-Fit alignment system employs a four-point alignment and attachment method, designed to create straighter rows and minimize seams between sections (field assembled). Two alignment tabs ensure the outer extruded aluminum rails are aligned, while two draw-screws secure housing-to-housing attachment.

Lengths:

The SQ2 is available in individual 2-foot (24"), 4-foot (48"), 6-foot (72"), 8-foot (96"), 10-foot (120") and 12-foot (144") lengths. Longer fixture rows are available and will be configured per Lumato factory specifications; typical rows are configured with 8-foot fixtures. Each end cap adds .0625" to the length of each fixture run. End Caps: End caps are fabricated from 16-gauge steel and finished to match housing. End caps are installed at factory with no exposed fasteners to ensure minimal visible seam.

Mounting Method/Hardware:

The Hidden-Connect design recesses or hides all attachment hardware. Standard mounting hardware includes a galvanized wall cleat with side to side adjusting for final alignment. Position all Junction Boxes in Accordance with Final Manufacturer Submittal Drawings. Feed Point is on the Left Hand Mounting Point for all Products Longer than 2'; All 2' Products have a Center Feed Point.

Exterior Finish:

The SQ2 is available in White, Silver, or Charcoal Grey polyester powder coat finish to ensure durability. Luminaires are available in any RAL color as an option.

OPERATION

Light Engine:

The SQ2 is available in 3000K, 3500K & 4000K CCT all within a 2.5-Step MacAdam Ellipse and has a standard CRI of 80+ with a 90+ CRI option available.

Optics:

Diffused Forward Throw Optics with High Efficiency Diffuser Properly Illuminates the Wall, Provides Even Illumination Across the Ceiling and Protects LED's from Dust and Debris.

Electrical:

Class 2 programmable (factory pre-set) premium power supply, 120-277VAC input. Power factor >0.9. THD <15%. Integral Surge Protection to 2KV.

Dimming:

The SQ2 comes standard with 0-10V dimming. The 0-10V control allows dimming down to 10% (Dimming down to 1% is also an option; please consult factory). DALI dimming is available as an option and allows for dimming down to 1%.

Optional Controls:

The SQ2 is available with optional integrated daylight and occupancy sensors. Sensors extend the length of the luminaire and are located at the end of a row, near the power cord. Contact factory for custom locations.

GENERAL

Warranty:

Five (5) year limited warranty from date of shipment, covers LED's, driver, and luminaire. Optional accessories are covered by their individual Manufacturers warranties.

Lumen Maintenance:

Rated for 85% initial lumen output (L85) at 50,000 Hours of operation, operated at 25C ambient temperature; per TM-21 Guidelines published by the Illuminating Engineering Society (IES).

Certification

All Luminaires are UL and cUL Listed, approved for Dry/Damp locations

Angeled Connectors

Angled luminaire connectors are available, consult factory for drawings and specifications

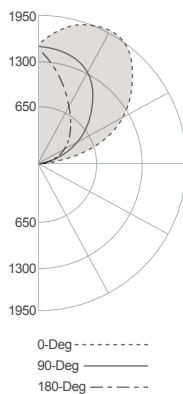
Made in the USA

All Lumato Luminaires and Components (with the exception of our LED boards and drivers) are proudly manufactured and assembled in the USA

PHOTOMETRICS

SQ2-4-H-10-12-30-WM-X

Total Lumens: 4458
Ratio: 100% Up and 0% Down
Wattage: 44.1
Efficacy: 101.1 (Lumens Per Watt)
Report Number: ITL86865
Fixture Length: Four Feet



Zonal Lumen Summary

Zone	Lumens	% Fixt
0 - 90	0	0
90 - 120	887	19.9
90 - 130	1619	36.3
90 - 150	3250	72.9
90 - 180	4458	100.0
0 - 180	4458	100.0

ENERGY CONSUMPTION

Watts Per Linear Foot

	H:1200	M:900	L:600
100/0	11.03	8.27	5.52